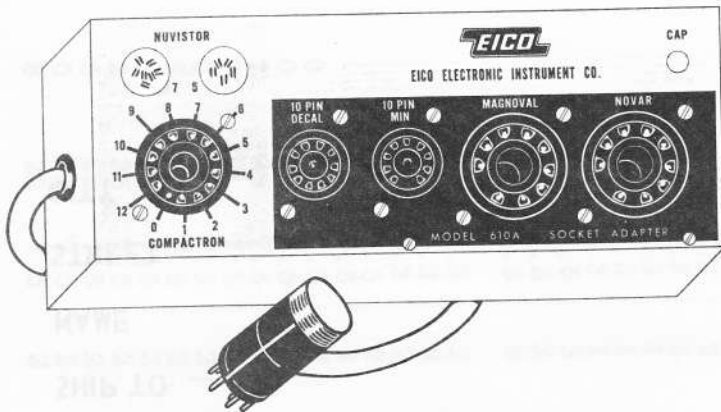


KEEP YOUR **EICO** TUBE TESTER Up-To-Date



MODEL 610A ADAPTER

- A SOCKET ADAPTER UNIT THAT INSTANTLY MODERNIZES YOUR TUBE TESTER FOR ABOVE TYPE TUBES.
- THE HANDY FLEXIBLE CABLE PLUG IS SIMPLY INSERTED INTO THE EXISTING 9 PIN SOCKET OF YOUR TUBE TESTER. ATTACH THE TESTERS GRID CAP TO THE ADAPTER AND THE UNIT IS NOW READY TO OPERATE.

USE ORDER FORM ON REVERSE SIDE

TEST ALL THE NEW TUBES

10 PIN MIN
12 PIN COMPACTRON
5 PIN NUVISTOR
7 PIN NUVISTOR
9 PIN NOVAR

AND NEWLY RELEASED TYPES

10 PIN DECAL !
9 PIN MAGNOVAL !

NET PRICE: ~~\$1.95~~ plus \$1.55 shipping and handling
20.40

EICO 610A / TUBE TESTER ADAPTER

OPERATING INSTRUCTIONS

The EICO Model 610A is a Multi-socket Adapter designed to enable to check the Compactron, Nuvisor (both 5 pin and 7 pin types), Novar, Ten-pin Miniature, Magnoval, Special 2 Pin Rectifier type Tubes and Ten-pin Decal Tubes.

IMPORTANT: For each of the following tests insert the 610A plug into the 9 pin miniature socket on your tube tester. The plate cap of your tube tester should be connected to the plate cap stud on the 610A case, unless tube has a top cap then put plate cap on tube.

1. COMPACTRON TESTING

For the testing of Compactrons, a unique "Keying System" is used which eliminates the need for multiple sockets or complicated switching systems. Test Procedures are as follows: —

A. To test COMPACTRONS:

You will note that the panel of the 610A includes a series of numbers (from "0" to "12") around the Compactron Socket. All that is required to test any Compactron is:

1. Insert the plug of the 610A into the Nine-pin Miniature Tube Socket on the tester.
2. Attach the grid cap to the stud on the 610A case. Unless tube has a top cap then put plate cap on tube.
3. Set levers and switches as indicated.
4. Insert the tube into the Compactron Socket with the blank space or key. (See Fig. A) at the number indicated in the Test Data, and:
5. Test!

2. NOVARS, 10 PIN MINIATURE, DECAL, NUVISTOR, MAGNOVAL AND 2 PIN RECT. TESTING

All that is required for these types, is to set levers and switches as indicated in the data; plug the 610A into your Tube Tester, and attach the grid cap; plug the tube to be tested into the appropriate socket of the 610A and Test.

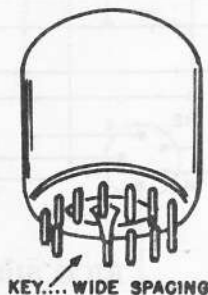


FIGURE A



PRICE EACH	STOCK #	DESCRIPTION	PRICE EACH	STOCK #	DESCRIPTION
HARDWARE					
.01	40007	nut, hex, #4-40 x 1/4 (10)	.02/ft.	58010	wire, hook-up, #22, 1/64W, blue - 12 in.
.01	41014	screw, #6-32 x 3/8, B. H. (1)			
.01	41023	screw, #4-40 x 1/4, P. K., B. H. (6)	.02/ft.	58011	wire, hook-up, #22, 1/64W, violet - 12 in.
.01	41090	screw, #4-40 x 5/16, B. H. (10)	.02/ft.	58012	wire, hook-up, #22, 1/64W, grey - 12 in.
.01	42003	washer, flat, fibre, #6 (1)			
.04	42007	washer, lock, #4 (10)	.02/ft.	58013	wire, hook-up, #22, 1/64W, white - 12 in.
.02	43000	lug, solder, #6 (1)			
.08	45014	grid cap (1)	.12/ft.	58442	cable, 9 cond., insulated - 19 in.
.04	46000	grommet, rubber, 3/8 (1)	n/c	66196	manual, operating (1)
			2.27	80219	panel, front (1)
			3.00	88134	cabinet (1)
JACKS & PLUGS					
.48	50054	test jack, flat lug (2)	.05	89577	strain relief (1)
.61	51013	plug, 9 pin, min. (1)	.15	89691	cover, rubber (for plug) (1)

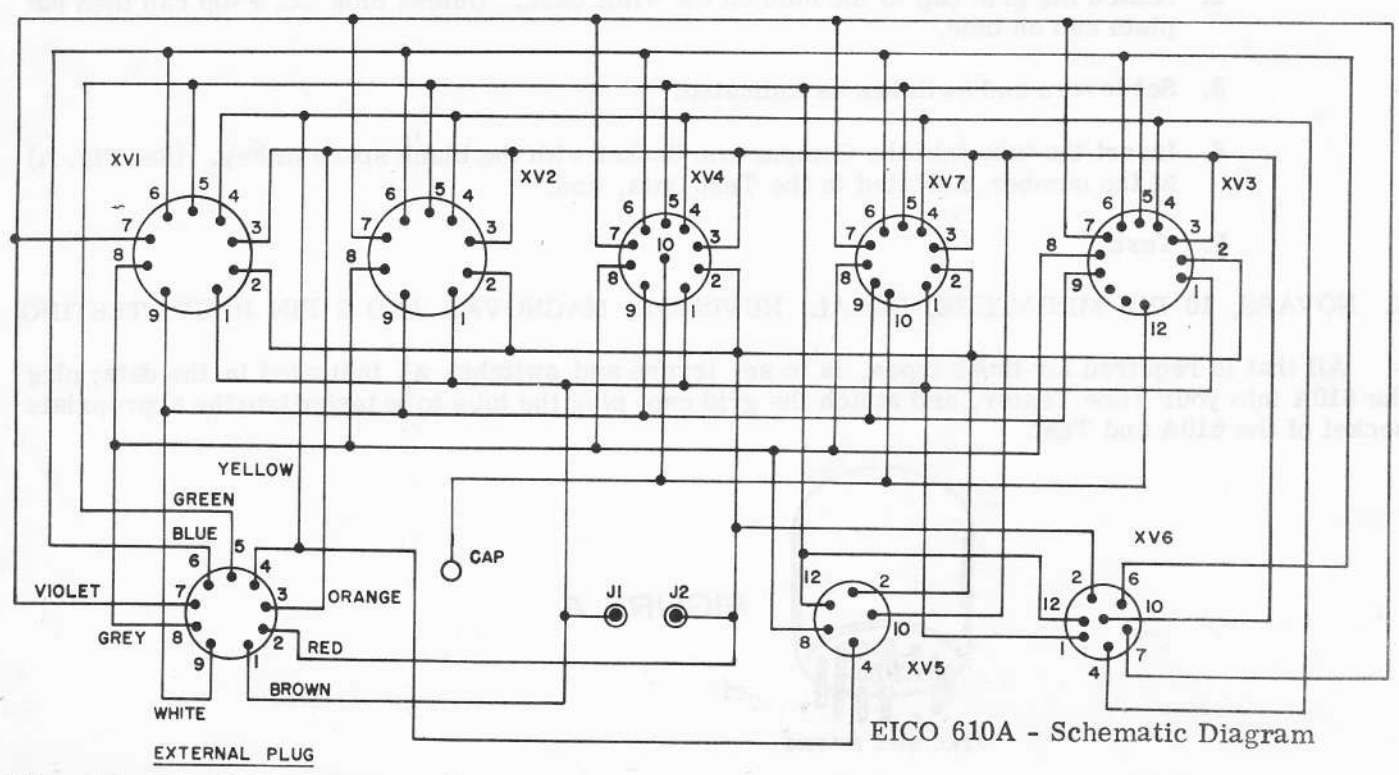
MISCELLANEOUS

.02/ft.	58004	wire, hook-up #22, 1/64W, black - 12 in.
.02/ft.	58005	" " " " brown 12 in.
.02/ft.	58006	wire, hook-up #22, 1/64W, red - 12 in.
.02/ft.	58007	wire, hook-up #22, 1/64W, orange - 12 in.
.02/ft.	58008	wire, hook-up, #22, 1/64W, yellow - 12 in.
.02/ft.	58009	wire, hook-up, #22, 1/64W, green - 12 in.

TUBE SOCKETS

.28	97066	socket, 9 pin Novar (2)
.45	97067	socket, 12 pin Compactron (1)
.32	97068	socket, 10 pin Min. (1)
.30	97072	socket, 5 pin Nuovistor (1)
1.41	97073	socket, 7 pin Nuovistor (1)
.31	97096	socket, Decal, min. (2)

To order replacement parts, specify description and part number. Remittance must be made with order. Prices and specifications subject to change without notice.



EICO 610A - Schematic Diagram