

TDA2822 LINEAR INTEGRATED CIRCUIT

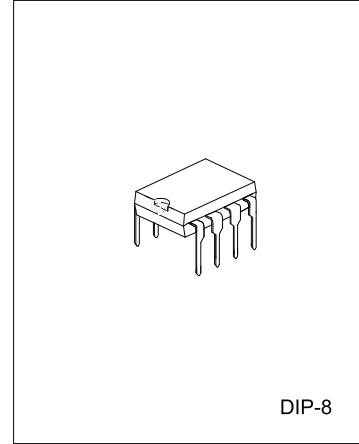
DUAL LOW VOLTAGE POWER AMPLIFIER

DESCRIPTION

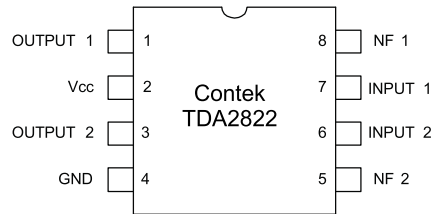
The Contek TDA2822 is a monolithic integrated audio amplifier in a 8-Pin plastic dual in line package. It is designed for portable cassette players and radios.

FEATURES

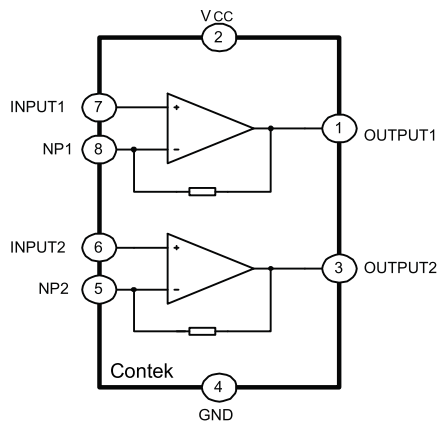
- *Wide operating supply voltage: $V_{cc}=1.8V-12V$.
- *Low crossover distortion.
- *Low quiescent circuit current.
- *bridge/stereo configuration.



PIN CONFIGURATIONS



BLOCK DIAGRAM



Contek Microelectronics Co.,Ltd.

<http://www.contek-ic.com> E-mail: sales@contek-ic.com

TDA2822 LINEAR INTEGRATED CIRCUIT

ABSOLUTE MAXIMUM RATINGS (Ta=25 C)

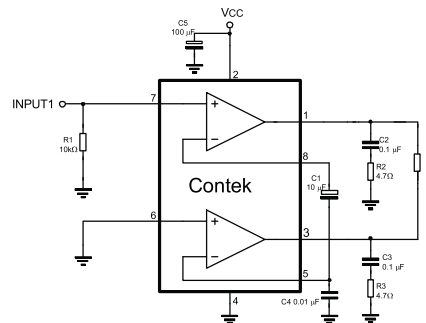
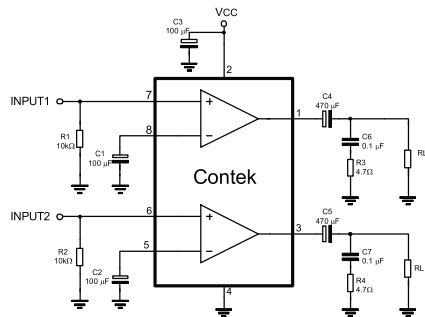
PARAMETER	SYMBOL	VALUE	UNIT
Supply Voltage	Vcc	15	V
Output Peak Current	Io(peak)	1	A
Power Dissipation	PD	at T _{amb} =50 C 1.0 at T _{case} =50 C 1.4	W
Operating Temperature	Topr	-20 ~ +70	C
Storage Temperature	Tstg	-40 ~ +150	C

ELECTRICAL CHARACTERISTICS (Ta=25 C, VCC=6V, f=1kHz, unless otherwise specified)

PARAMETER	SYMBOL	TEST CONDITIONS	MIN	TYP	MAX	UNIT
Operating Supply Voltage	Vcc		1.8		9	V
Quiescent Circuit Current	Icc	Vi=0		9		mA
Closed Loop Voltage Gain	Av	Stereo		40		dB
Closed Loop Voltage Gain	Av	Bridge		40		dB
Channel Balance	CB	Stereo	-1	0	1	dB
Output Power	PO	Stereo, VCC=6V, RL=4Ω, THD=10%	0.4	0.65		W
Output Power	PO	Stereo, VCC=3V, RL=4Ω, THD=10%		0.11		W
Output Power	PO	Bridge, VCC=6V, RL=4Ω, THD=10%	0.9	1.35		W
Output Power	PO	Bridge, VCC=6V, RL=4Ω, THD=10%		0.35		W
Total Harmonic Distortion	THD	Stereo, RL=8Ω, Po=0.2W		0.5		%
Total Harmonic Distortion	THD	Bridge, RL=8Ω, Po=0.5W		0.5		%
Ripple Rejection	RR	Stereo, f=100Hz, C3=100μF	24	30		dB
Output Noise Voltage	VNO	Stereo, BW(-3dB)=20Hz ~20kHz		0.5	2.0	mV
Cross Talk	CT	Stereo, f=1kHz		50		dB
Input Resistance	Ri		100			kΩ

TEST CIRCUIT 1: STEREO

TEST CIRCUIT 2: BRIDGE

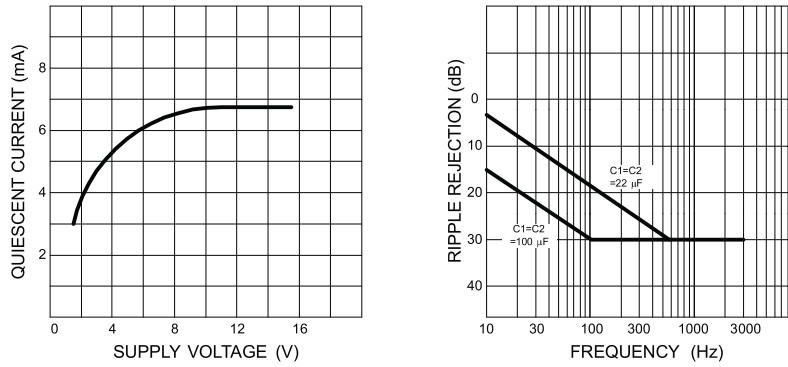


Contek Microelectronics Co., Ltd.

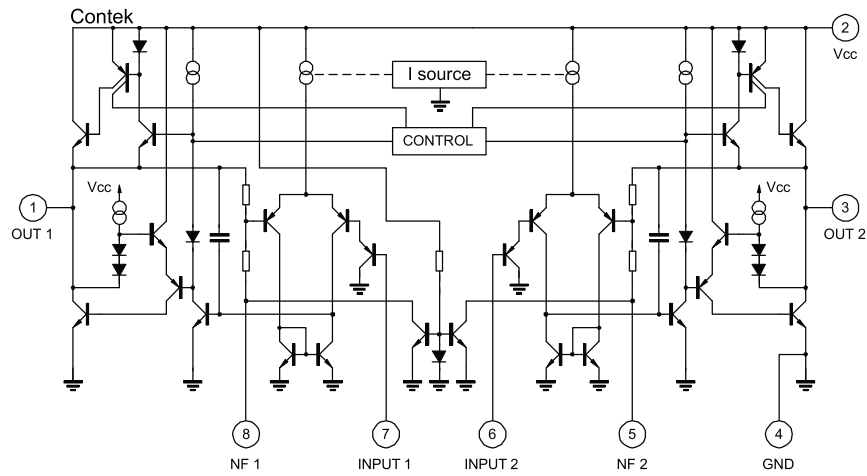
<http://www.contek-ic.com> E-mail: sales@contek-ic.com

TDA2822 LINEAR INTEGRATED CIRCUIT

TYPICAL PERFORMANCE CHARACTERISTICS



SCHEMATIC DIAGRAM



Contek Microelectronics Co., Ltd.

<http://www.contek-ic.com> E-mail: sales@contek-ic.com