



INTEGRATEDCIRCUIT

TECHNICAL DATA

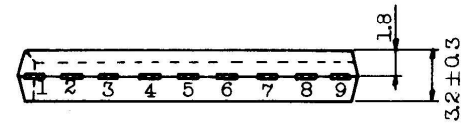
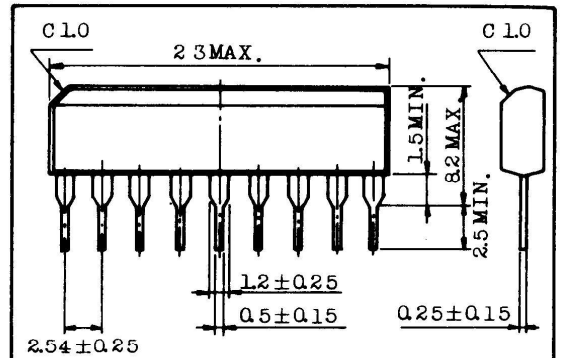
TA7310P

TOSHIBA BIPOLAR LINEAR INTEGRATED CIRCUIT
SILICON MONOLITHIC

FOR PHASE LOCKED LOOP FREQUENCY
SYNTHESIZER.

- . Doubly Balanced Mixer
- . Emitter Follower Circuit
- . Differential Amplifier
- . Wide Operating Supply Voltage Range : $V_{CC}=6 \sim 10V$

Unit in mm



Lead pitch is 2.54 and tolerance is ± 0.25 against theoretical center of each lead that is obtained on the basis of No.1 lead.

MAXIMUM RATINGS (Ta=25°C)

CHARACTERISTIC	SYMBOL	RATING	UNIT
Supply Voltage	V_{CC}	10	V
6 Pin Supply Voltage	V_6	14	V
1 Pin Supply Voltage	V_9	20	V
Power Dissipation (Note)	P_D	600	mW
Operating Temperature	T_{opr}	-30 ~ 75	°C
Storage Temperature	T_{stg}	-55 ~ 150	°C

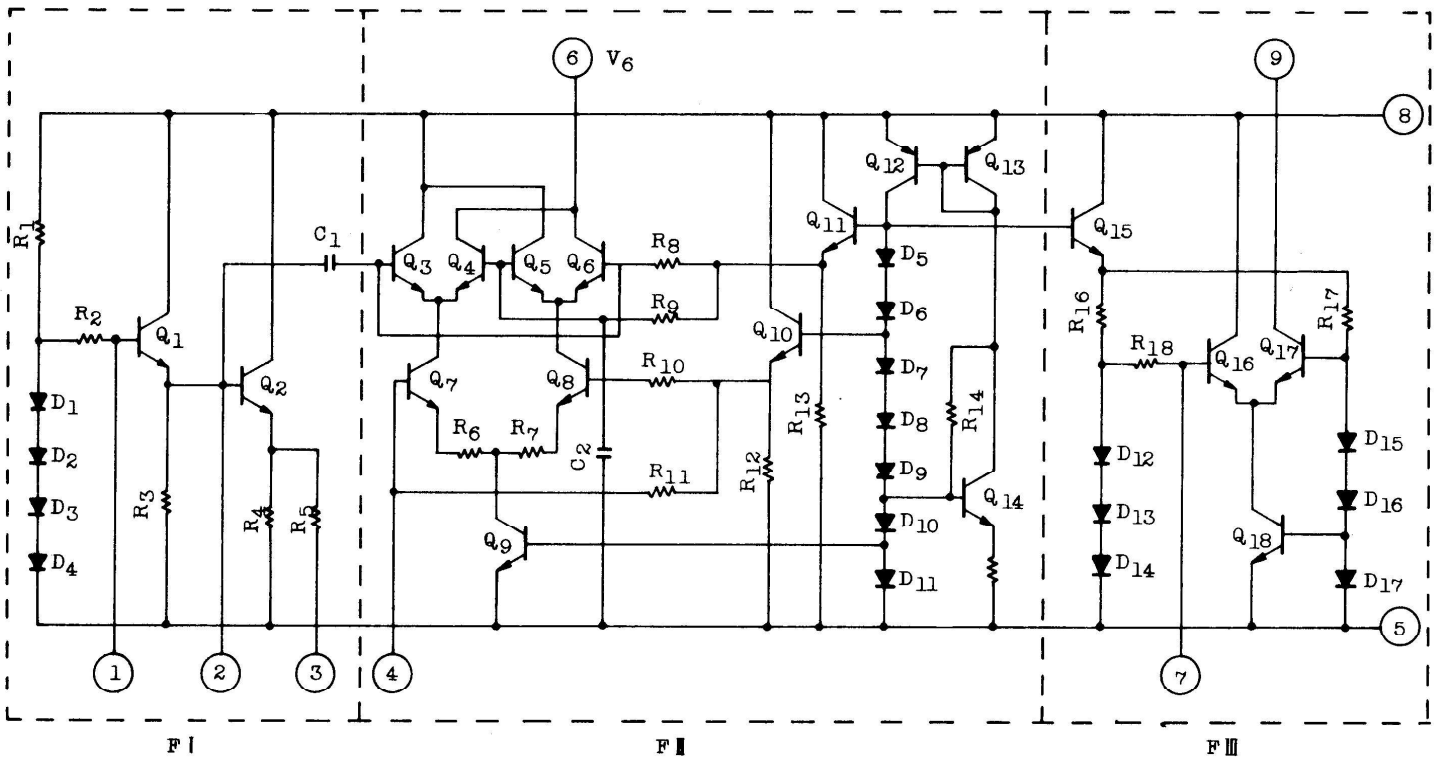
JEDEC

TOSHIBA

5-23B

Note : Derated above $T_a=25^\circ C$ in the proportion of $4.8mW/^\circ C$.

EQUIVALENT CIRCUIT





INTEGRATED CIRCUIT

TA7310P

TECHNICAL DATA

ELECTRICAL CHARACTERISTICS (Ta=25°)

CHARACTERISTIC		SYMBOL	TEST CIR-CUIT	TEST CONDITION	MIN.	TYP.	MAX.	UNIT
Supply Current		I _{CC}	1	V _{CC} =7V	21.5	-	38.0	mA
6 Pin Supply Current		I ₆	1	V _{CC} =7V	3.0	-	5.5	mA
9 Pin Maximum Supply Current		I ₉ (Max)	1	V _{CC} =7V, 7pin GND	6.0	-	12.0	mA
Output Power		P _o	2	V _{CC} =7V, V ₉ =12V f=26.965MHz	6.0	10	-	mW
Differential Amplifier Input Impedance	7 Pin Parallel Input Resistance	R _{ip7}	10	V _{CC} =7V, f=27MHz	-	1.0	-	kΩ
	7 Pin Parallel Input Capacitance	C _{ip7}			-	6.5	-	pF
Differential Amplifier Output Impedance	9 Pin Parallel Output Resistance	R _{op9}	11	V _{CC} =7V, V ₉ =12V, f=27MHz	-	4.0	-	kΩ
	9 Pin Parallel Output Capacitance	C _{op9}			-	4.0	-	pF
Doubly Balanced Mixer Input Impedance	4 Pin Parallel Input Resistance	R _{ip4}	12	V _{CC} =7V, f=10MHz	-	1.5	-	kΩ
	4 Pin Parallel Input Capacitance	C _{ip4}			-	4.3	-	pF
Doubly Balanced Mixer Output Impedance	6 Pin Parallel Output Resistance	R _{op6}	13	V _{CC} =7V, f=27MHz	-	3.5	-	kΩ
	6 Pin Parallel Output Capacitance	C _{op6}			-	6.0	-	pF



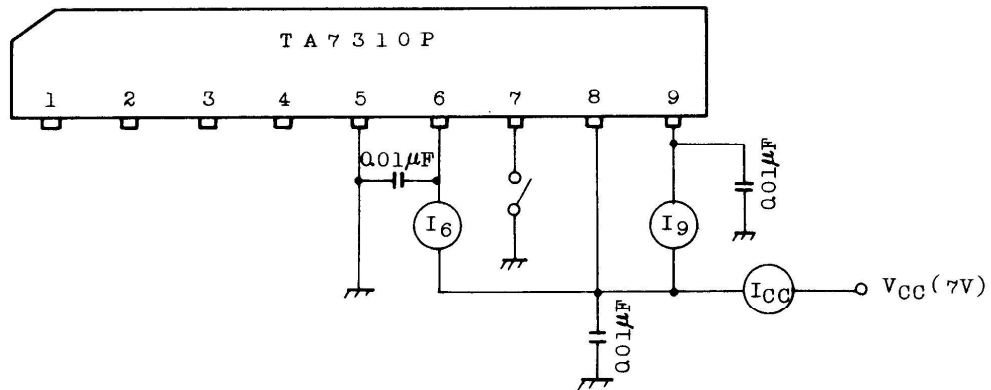
INTEGRATED CIRCUIT

TA7310P

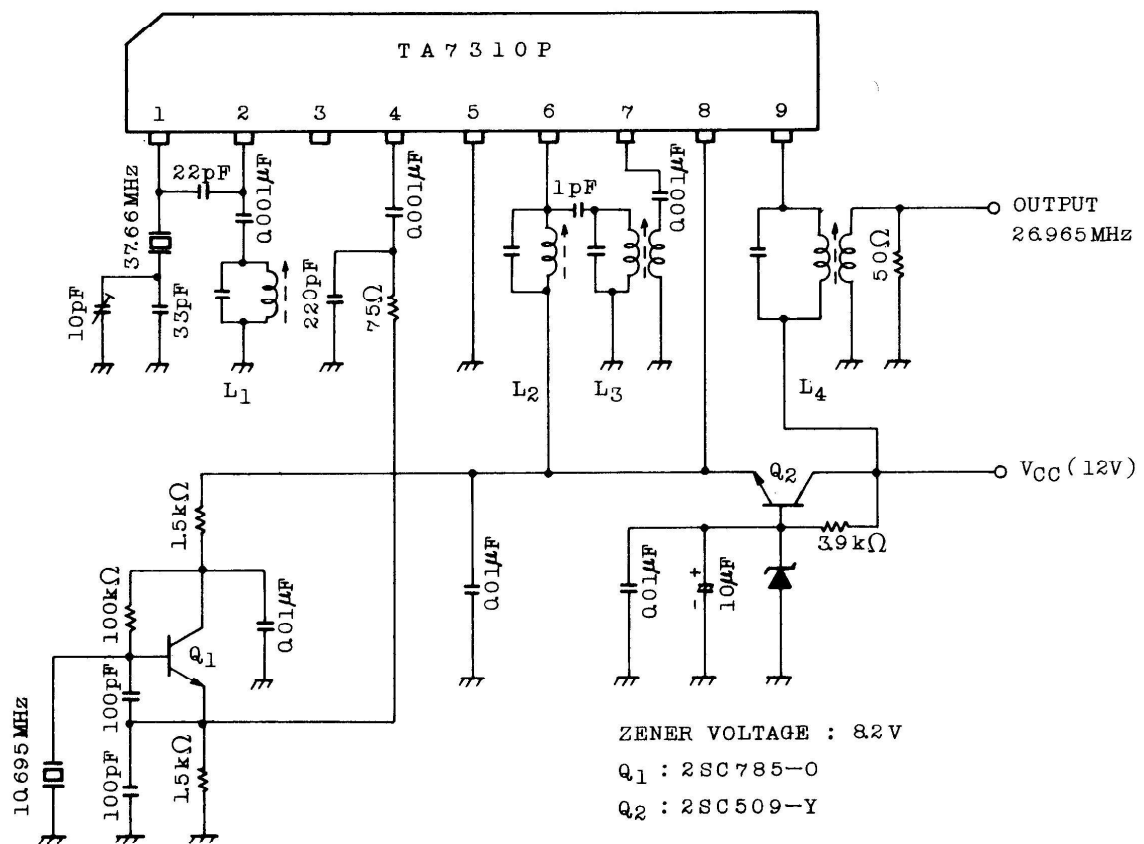
TECHNICAL DATA

TEST CIRCUIT

1. I_{CC} , I_6 , I_9 (Max.)



2. P_o



COIL DATA (10mm □) TABLE 1

		L1	L2	L3	L4
Primary	URNS	3T	6T	6T	12T
	L	0.6µH	0.3µH	0.3µH	1.2µH
	C	56pF	100pF	100pF	30pF
Secondary	URNS	-	-	2T	2T

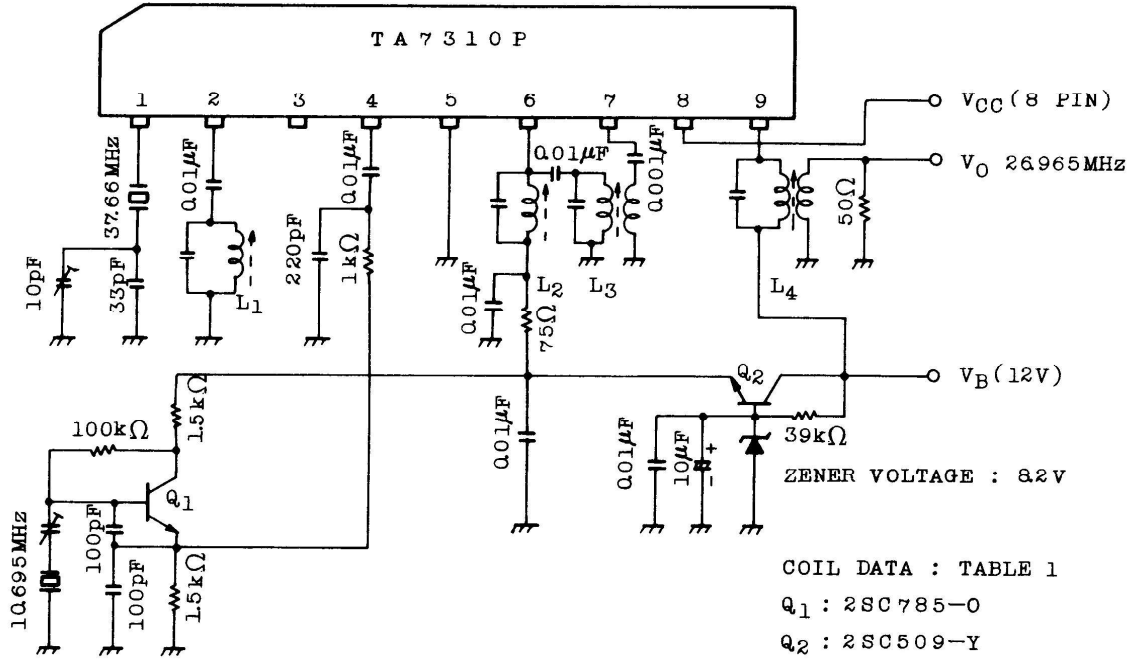


INTEGRATED CIRCUIT

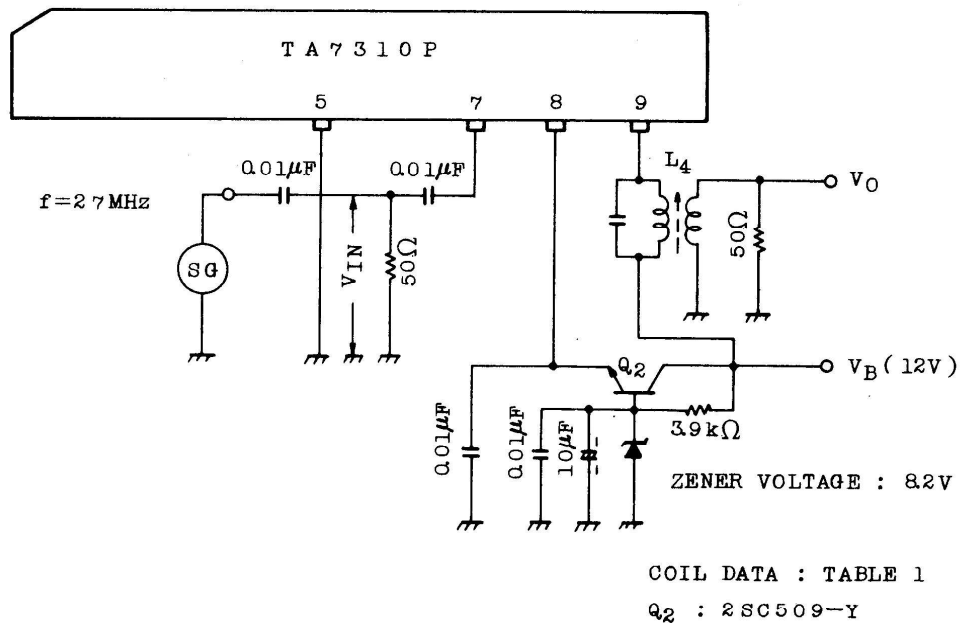
TA7310P

TECHNICAL DATA

3. $V_O - V_{CC}(8 \text{ PIN})$



4. $V_O - V_{IN}$



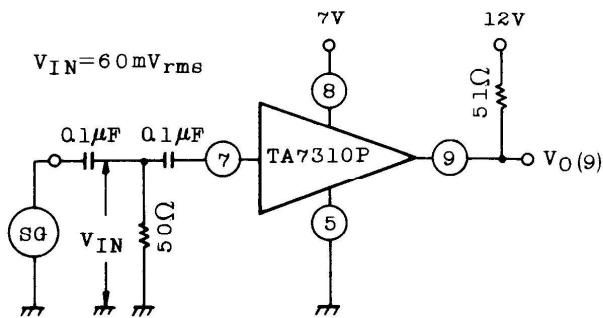


INTEGRATED CIRCUIT

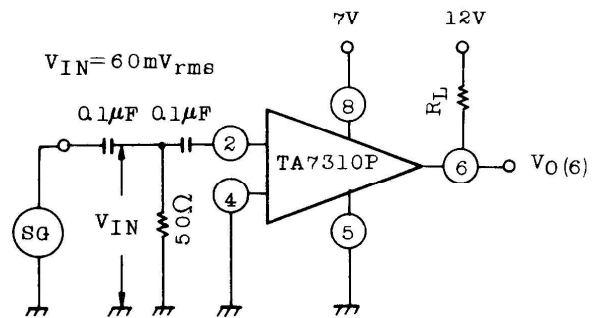
TA7310P

TECHNICAL DATA

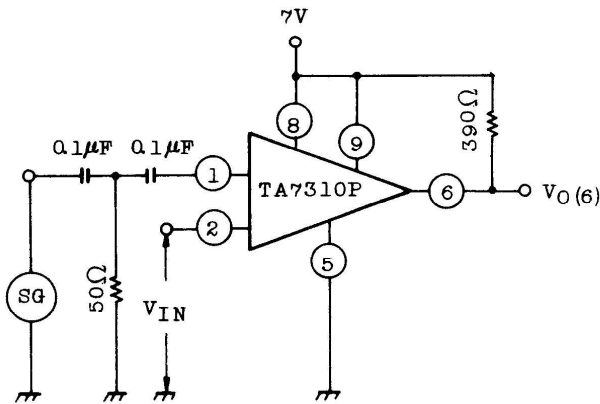
5. $V_O(9) - f$



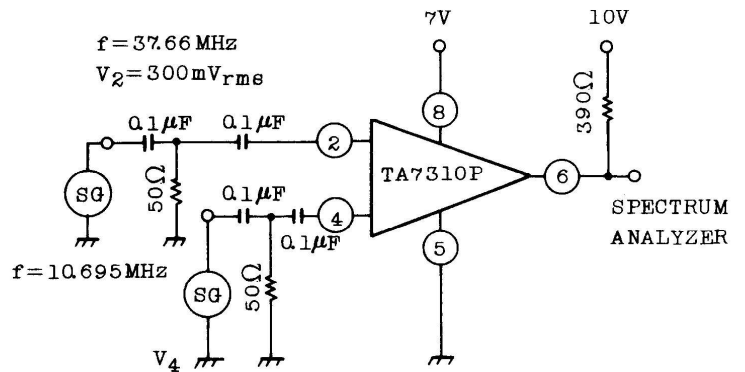
6. $V_O(6) - f$



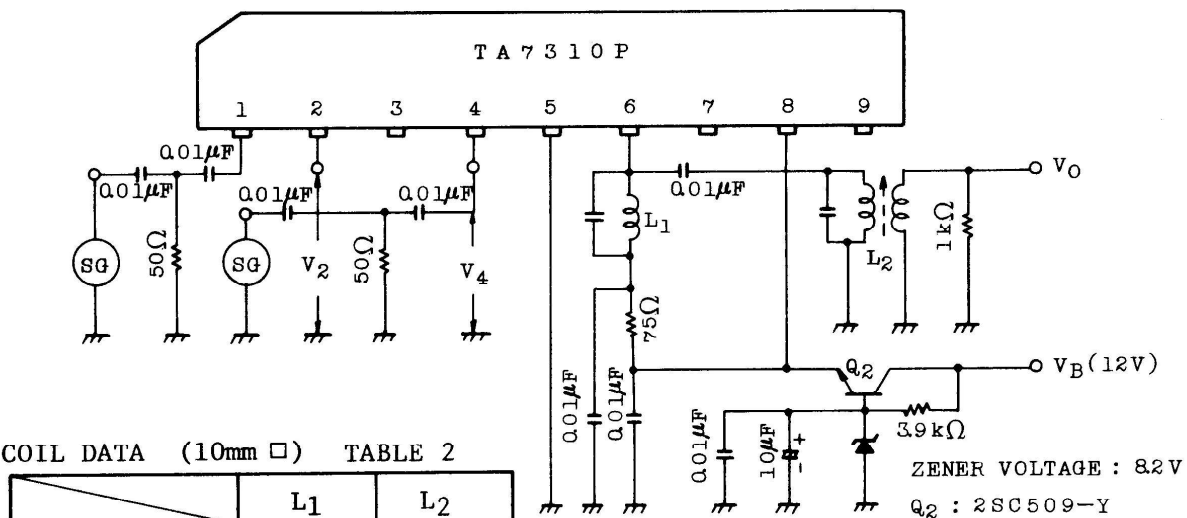
7. CARRIER FEED THROUGH ($V_O(6) - f$)



8. SIDE BAND HARMONIC SUPPRESSION - LOCAL OSC. LEVEL



9. $V_O - V_4$



		L1	L2
Primary	TURNS	6T	6T
	L	0.3µH	0.3µH
	C	100pF	100pF
Secondary	TURNS	-	2T

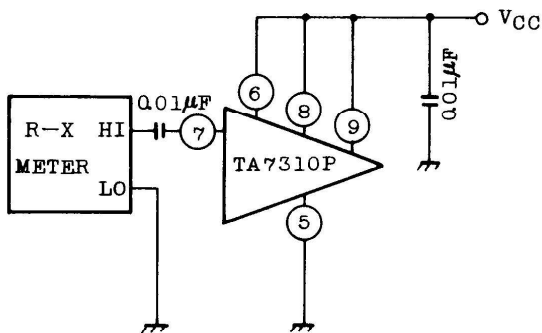


INTEGRATED CIRCUIT

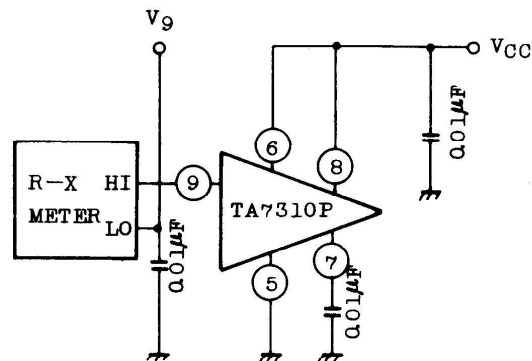
TECHNICAL DATA

TA7310P

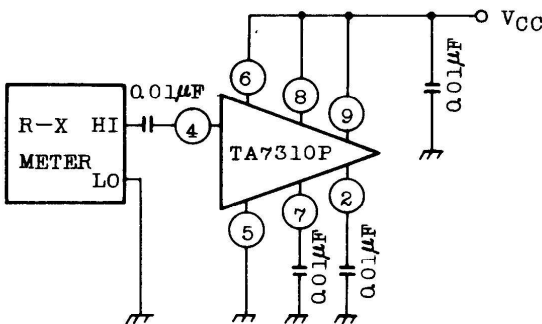
10. Rip7, Cip7



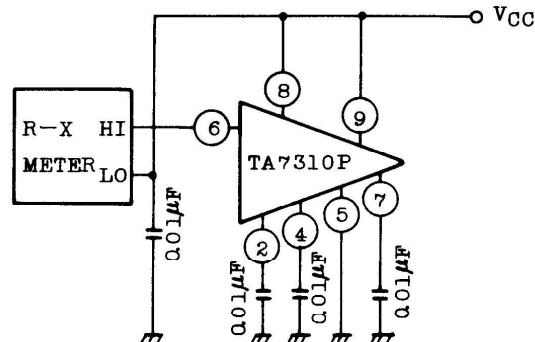
11. Rop9, Cop9



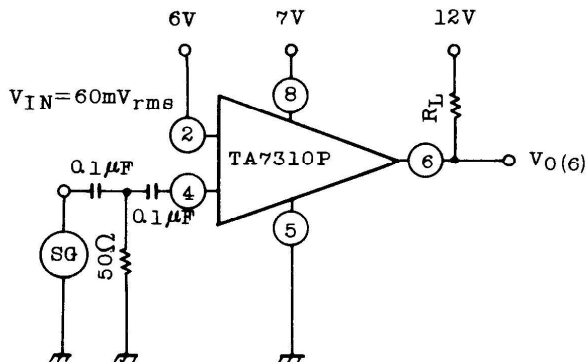
12. Rip4, Cip4



13. Rop6, Cop6



14. V_{O(6)} - f



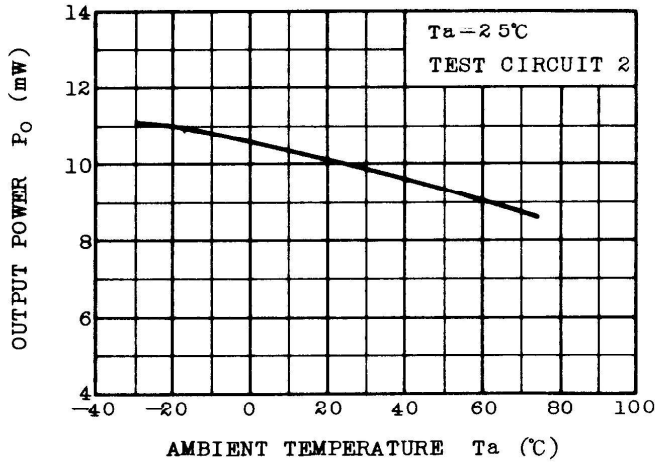


INTEGRATED CIRCUIT

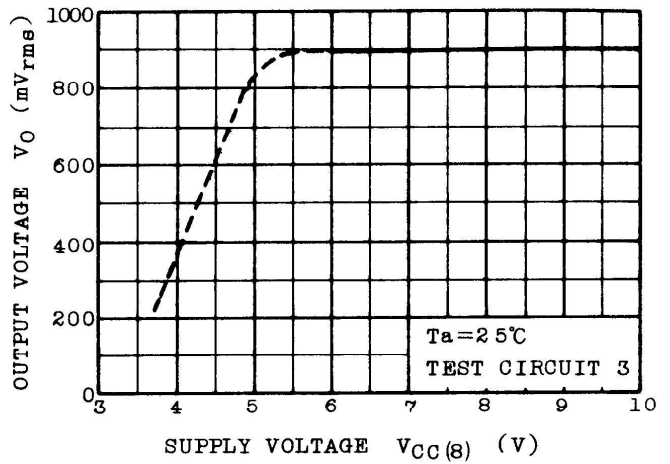
TECHNICAL DATA

TA7310P

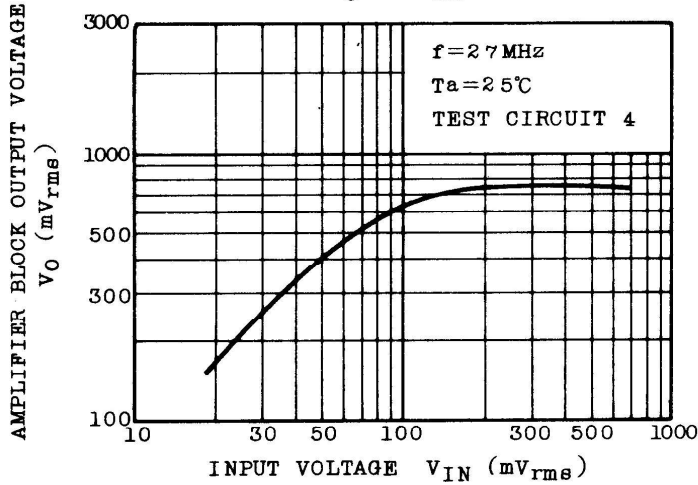
$P_o - T_a$



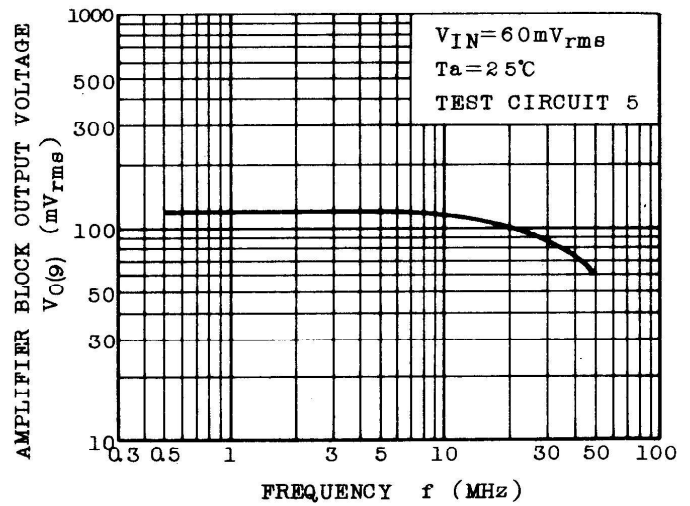
$V_o - V_{CC}$



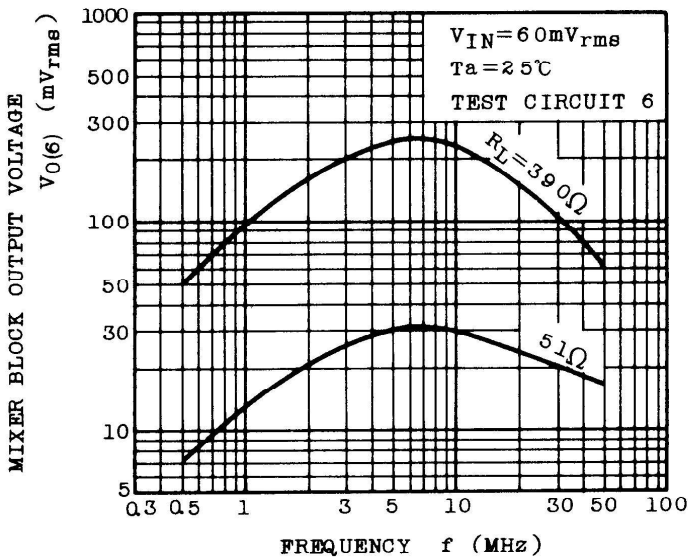
$V_o - V_{IN}$



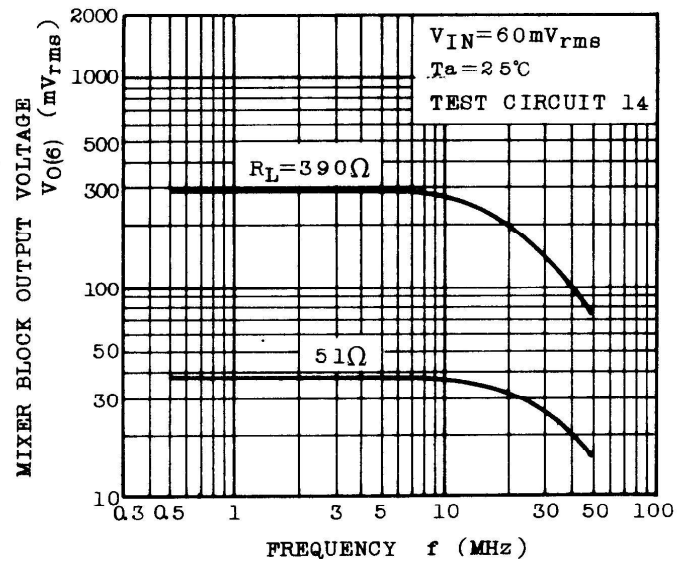
$V_o(9) - f$



$V_o(6) - f$



$V_o(6) - f$



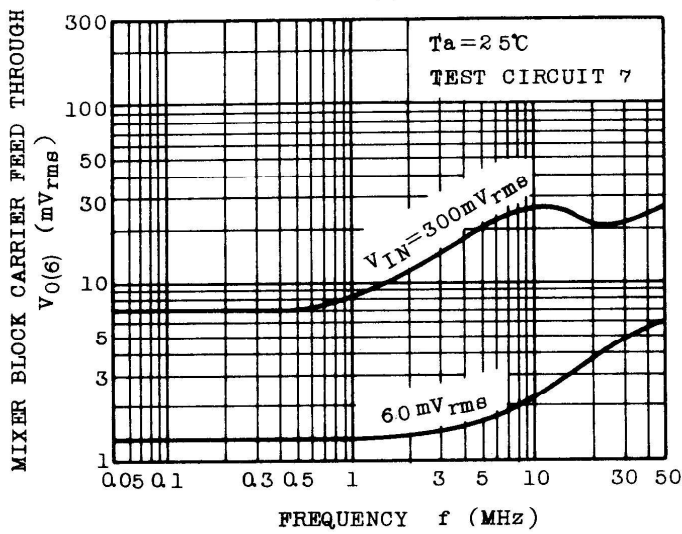


INTEGRATED CIRCUIT

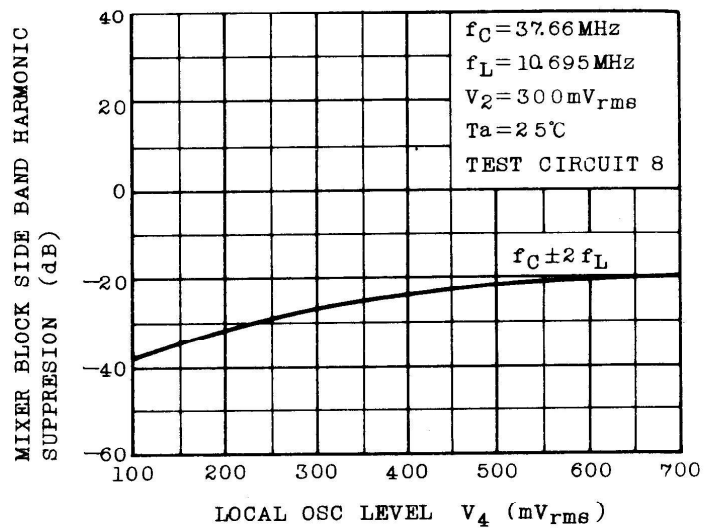
TECHNICAL DATA

TA7310P

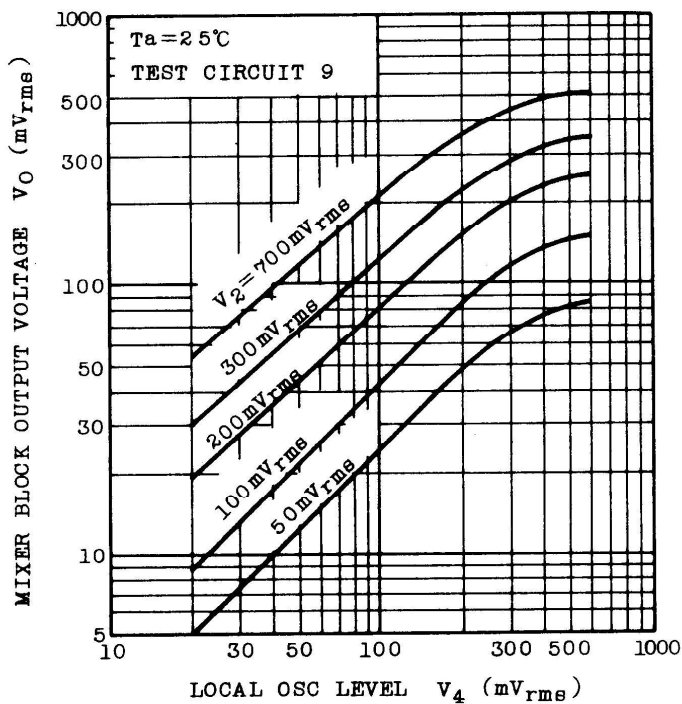
$V_0(6) - f$



MIXER BLOCK SIDE BAND HARMONIC SUPPRESSION



$V_0 - V_4$





INTEGRATED CIRCUIT

TA7310P

TECHNICAL DATA

APPLICATION BLOCK DIAGRAM

TA7310P is designed especially for use in CB transceiver in conjunction with TA9106BP frequency synthesizer.

The functions incorporated are emitter follower circuit (F I), doubly balanced mixer (F II) and differential amplifier (F III).

Emitter follower circuit may be used as reference oscillator or VCO.

Differential amplifier may be used wide band RF amplifier.

